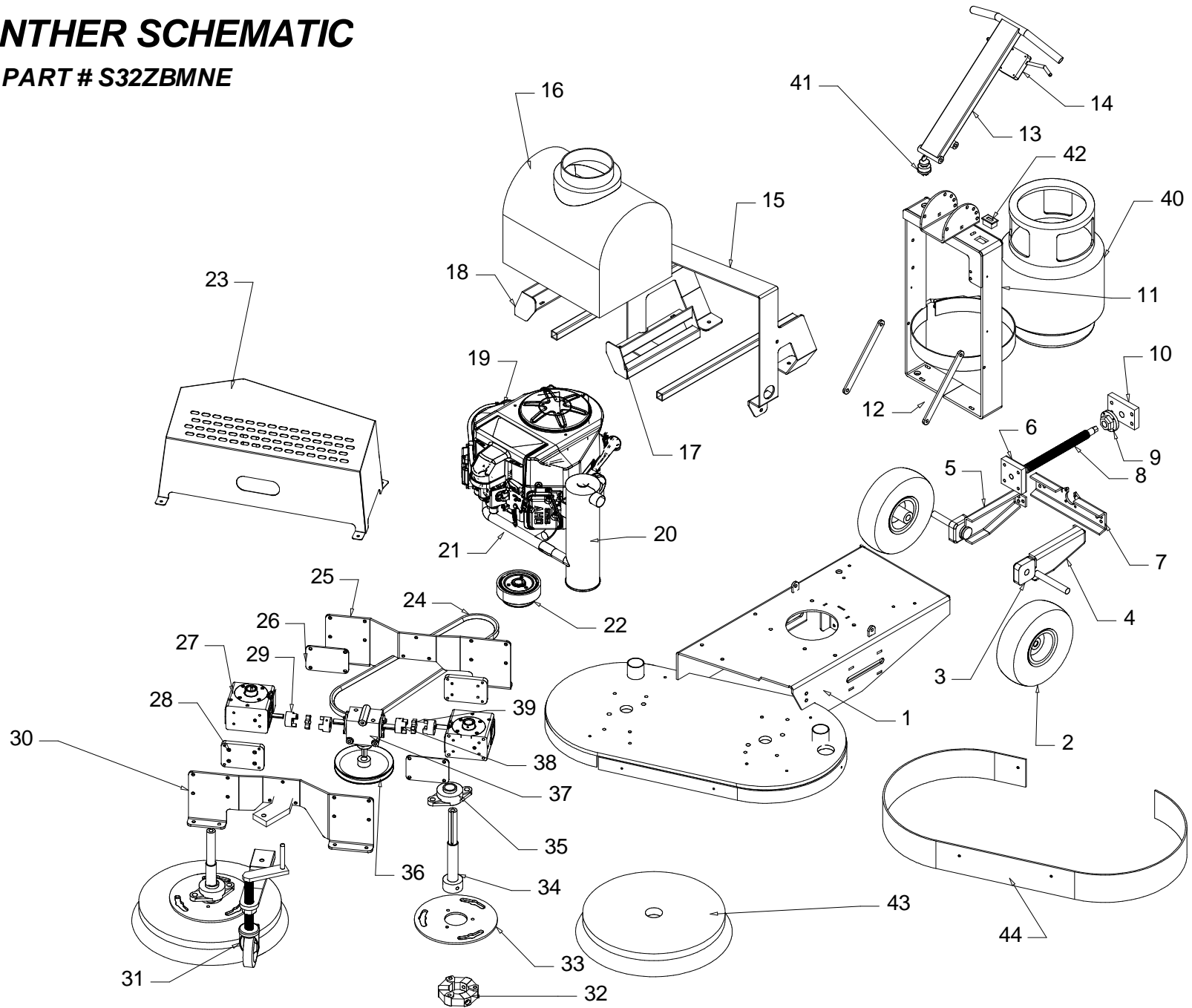


PANTHER SCHEMATIC

PART # S32ZBMNE



PANTHER SCHEMATIC
PART # S32ZBMNE

Item ID	Item Description	Part Ref #
FS1210	FLOOR SCRUBBER BASE ASSM	1
FS8050	MR1045G-3/4 NON MARK TIRE	2
FS8000	AXLE SLIDE BLOCK UHMW	3
FS1900	L/H SIDE AXLE	4
FS1950	R/H SIDE AXLE	5
FS8001	FWD SCREW BLOCK UHMW	6
FS1800	REAR AXLE PUSH	7
FS1960	ACME SCREW 1-5 X 13.2	8
FS1970	ACME FLANGE NUT 1 - 5 X 2.75	9
FS8002	REAR SCREW BLOCK UHMW	10
FS8020	BOTTLE CARRIER	11
FS8010	BOTTLE CARRIER BRACE	12
FS8030	T- HANDLE	13
W1210	ELECTRIC CLUTCH ASSY.	14
FS2103	FWD ENGINE GUARD WLD	15
FS2170	SOLUTION TANK	16
FS2150	LH TANK RECEIVER	17
FS2160	RH TANK RECEIVER	18
W3132	ENGINE KAWASAKI FS481V	19
FS3300	MUFFLER	20
FS3200	EXHAUST MANIFOLD	21
FS2200	GEARBOX COVER	23
FS2300	V - BELT B56	24
FS1700	REAR GEARBOX MOUNT	25
FS9005	THIN SHIM WORM DRIVE BOX	26
FS9001	WORKBOX 182 5/1 A 1.000	27
FS9006	THICK SHIM WORM DRIVE BOX	28
FS9002	TOMC-LO75-1/2 GEARBOX COUP	29
FS1600	GEARBOX MOUNT	30
W6100A	TRANSPORT WHEEL ASSY.	31
FS2050	LOVJLF8HTR W/H	32
FS2051	3 SLOT DRIVER HOLDER	33
FS2000	BRUSH SHAFT 11.316	34
FS9007	W0700S 7 IN PULLEY	36
FS9000	T-BOX M2 1/1 A,B ST	37
FS9003	TOMC-LO75-5/8 GEARBOX COUP	38
FS9004	TOMC-LO75UR GEARBOX	39
W2502	20 # TANK	40
W1301	IGNITION SWITCH	41
1007014	HOUR METER	42
W1617	17" BRUSH	43