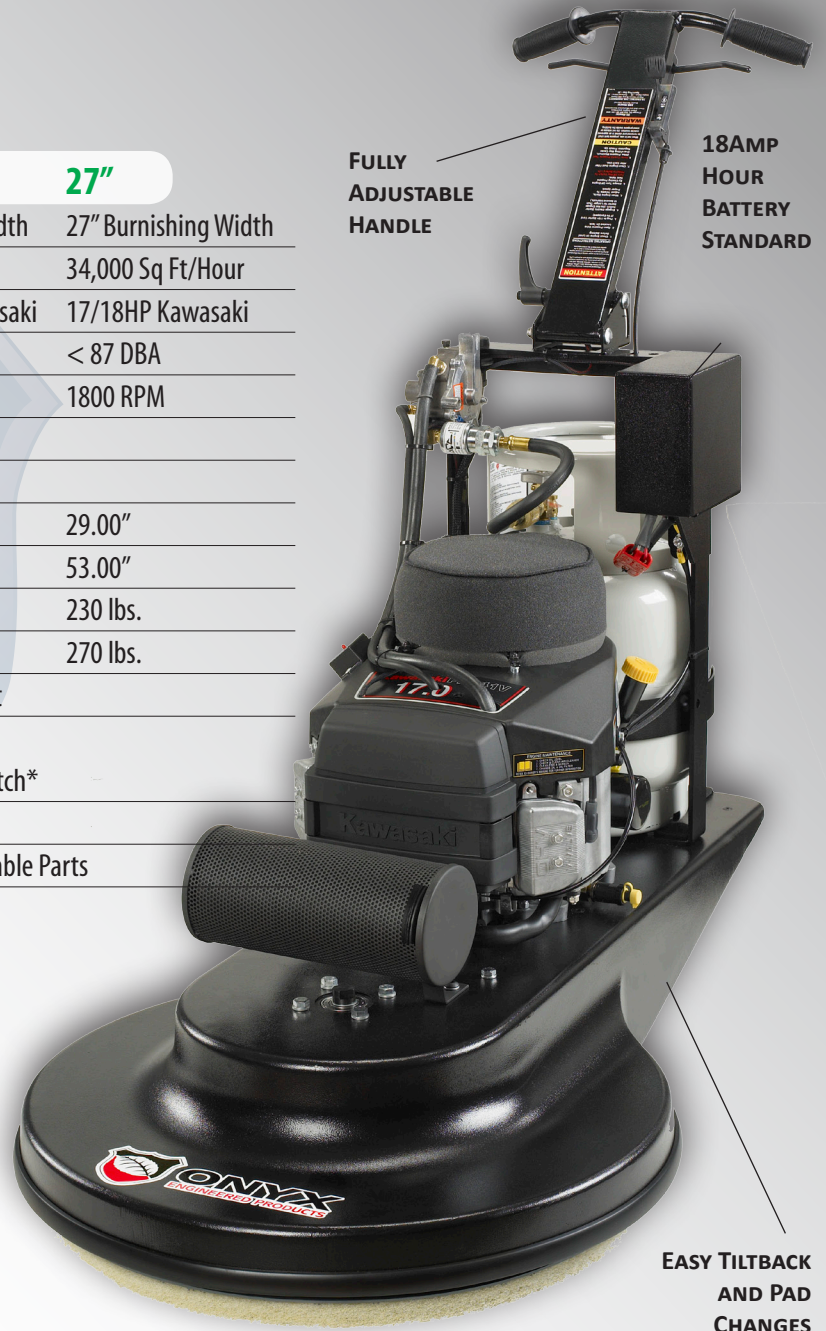


Features:

- Safe-EPA/CARB/CE Certified and approved
- Easy tilt back pad change design
- Adjustable wheels and handle
- Battery key start and 110 volt electric start
- Quick drop in cylinder holder
- Emission shut off feature*
- Catalytic Muffler*
- Electric Clutch*
- Emissions Eliminator System*

Onyx Black Diamond UHS Burnishers produce a superior wet look shine, fast and easy, on all hard floor surface types. They increase productivity, lower maintenance and labor costs, and create a safe, slip resistant floor surface.

SPECIFICATIONS	21"	24"	27"
Burnishing Width	21" Burnishing Width	24" Burnishing Width	27" Burnishing Width
Performance	25,000 Sq Ft/Hour	28,000 Sq Ft/Hour	34,000 Sq Ft/Hour
Engine	13/17/18HP Kawasaki	13/17/18HP Kawasaki	17/18HP Kawasaki
Sound Level	< 87 DBA	< 87 DBA	< 87 DBA
Brush Speed	2000 RPM	1800 RPM	1800 RPM
Pad Drive	Harpoon Hook Grip Face		
Frame	Powder Coated Cast Aluminum Alloy		
Width	22.75"	26.25"	29.00"
Length	48.00"	51.00"	53.00"
Weight	195 lbs.	220 lbs.	230 lbs.
Shipping Weight	235 lbs.	260 lbs.	270 lbs.
Ignition System	12 Volt Battery Starter, 110 Volt Electric start		
Options	Emission Shutdown Catalytic Muffler * Emissions Eliminator System* Electric Clutch*		
Certifications	EPA, CARB, CE, UL Listed Components		
Warranty	2 Year Engine, 1 Year Machine, 90 Days Wearable Parts		



FULLY
ADJUSTABLE
HANDLE

18AMP
HOUR
BATTERY
STANDARD

EASY TILTBACK
AND PAD
CHANGES

Contact Onyx today for more information!